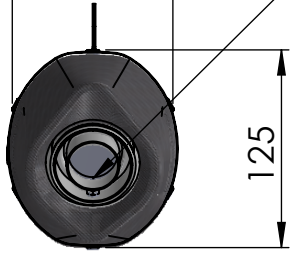


110
Db-Killer N.65
Cod.3014324801R



ORIGINAL SPACER

ORIGINAL FRAME

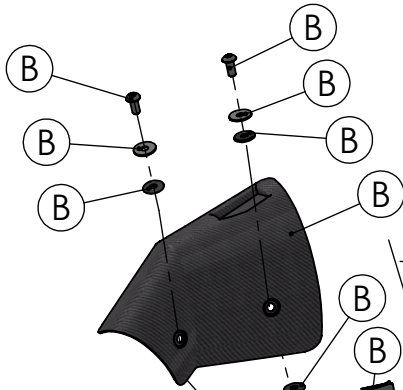
ORIGINAL SPACER

Carbon end cup set
cod.3014000701R

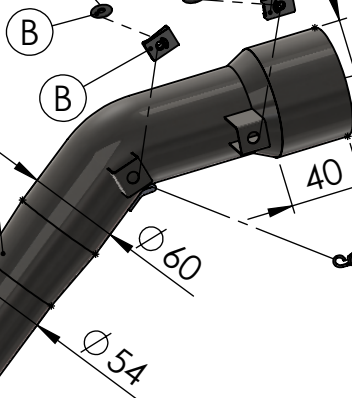
Muffler repack kit
cod.414205R

Muffler kit
Cod.3014348486R

E13 92R-01 10444



Manifold kit
cod. 3014348202R



S.s end cup set
cod.307242711R

Carbon clamp FBIS
Cod.306960505R

Outer sleeve
replacement kit
cod.088291005VLR

Belts and rivets kit
Cod.0814324003R

Spring and rubber
replacement kit
Cod.303949001R

Manifold clamp $\varnothing 60$
Cod.300060530R

ART. 14348EB SPARE PARTS

MOTO GUZZI V85 TT (also fits 35kW version)
(Fits with original panniers and original centre stand)

(A) FITTING KIT cod.3014348601R

(B) CARBON COVER KIT cod.3014348001R