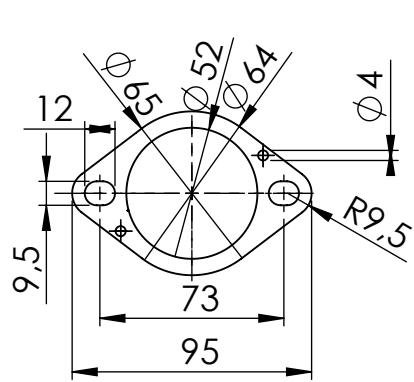
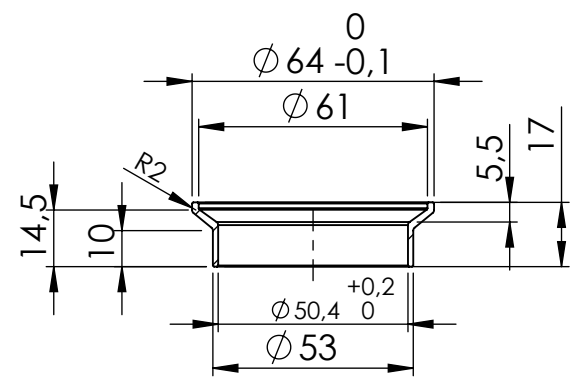


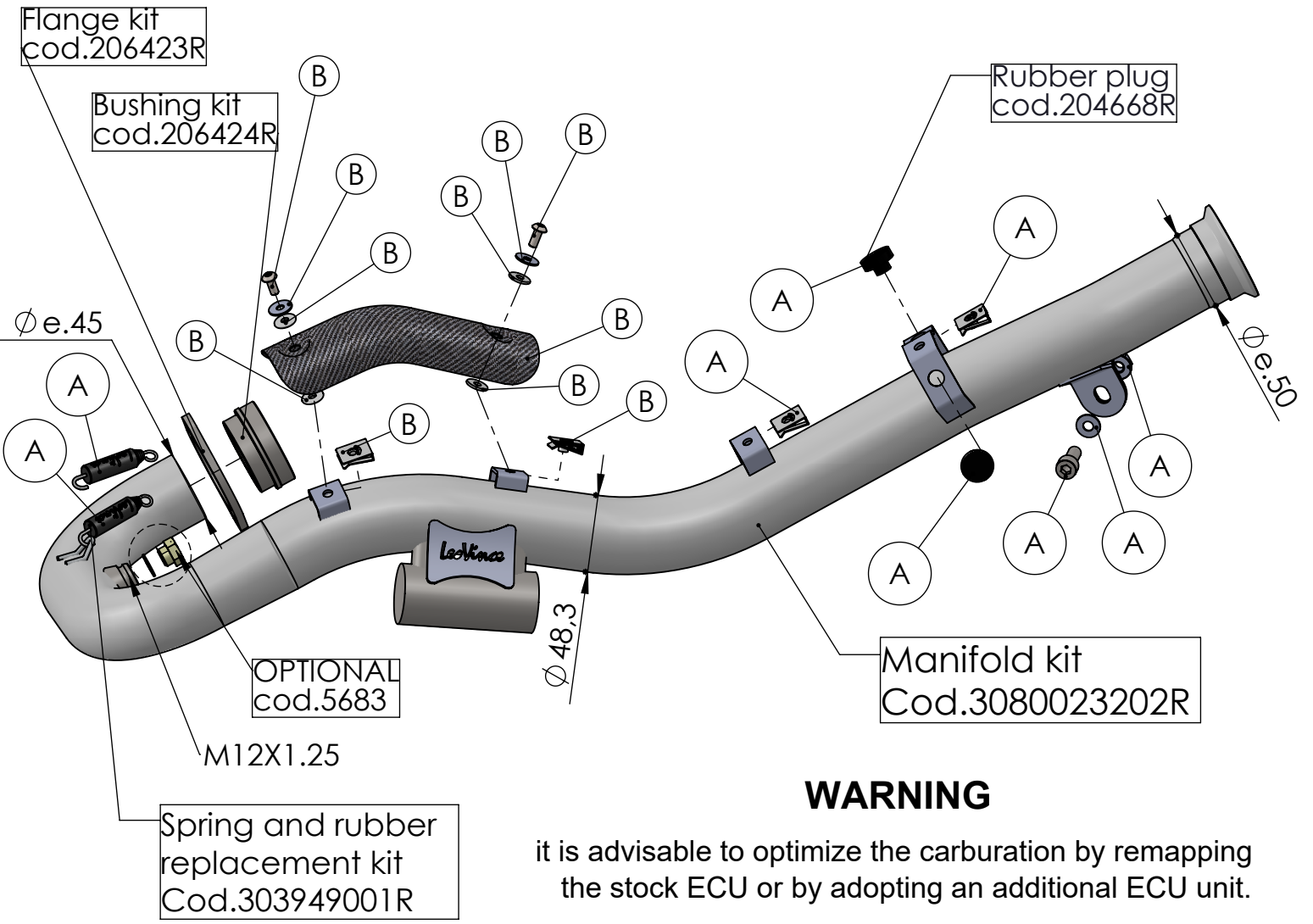
bushing
cod.206424R



Flange sp.5mm
cod.206423R



welded bushing



WARNING

it is advisable to optimize the carburation by remapping the stock ECU or by adopting an additional ECU unit.

ART. 80023 SPARE PARTS

KTM ENDURO R - 690 SMC R 690 (also fits 35kW version)
(Compatible both with stock exhaust and LeoVince slip-on)

- (A) FITTING KIT Cod. 3080009601R
- (B) CARBON COVER KIT Cod. 3015224001R