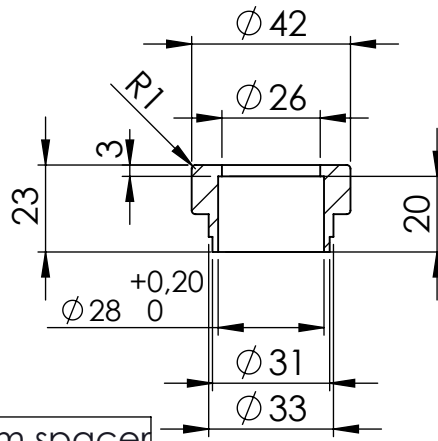
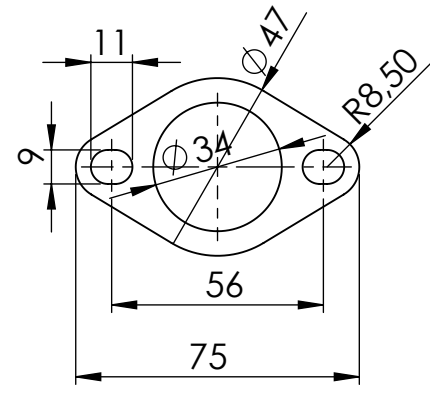


Db-killer N°63  
Cod.3014225801



Bushing  
cod.206566



Flange  
cod.206567

2X Aluminium spacer  
ø20X36X10.5  
Cod. 206282

Silencer NERO S.s.  
Øi 45X300 RHS  
Cod.3014060481

Welded Db-killer N°64  
Cod.3014323801

Pipe N°1350  
Cod.3014323205

Welded bushing  
cod.206566

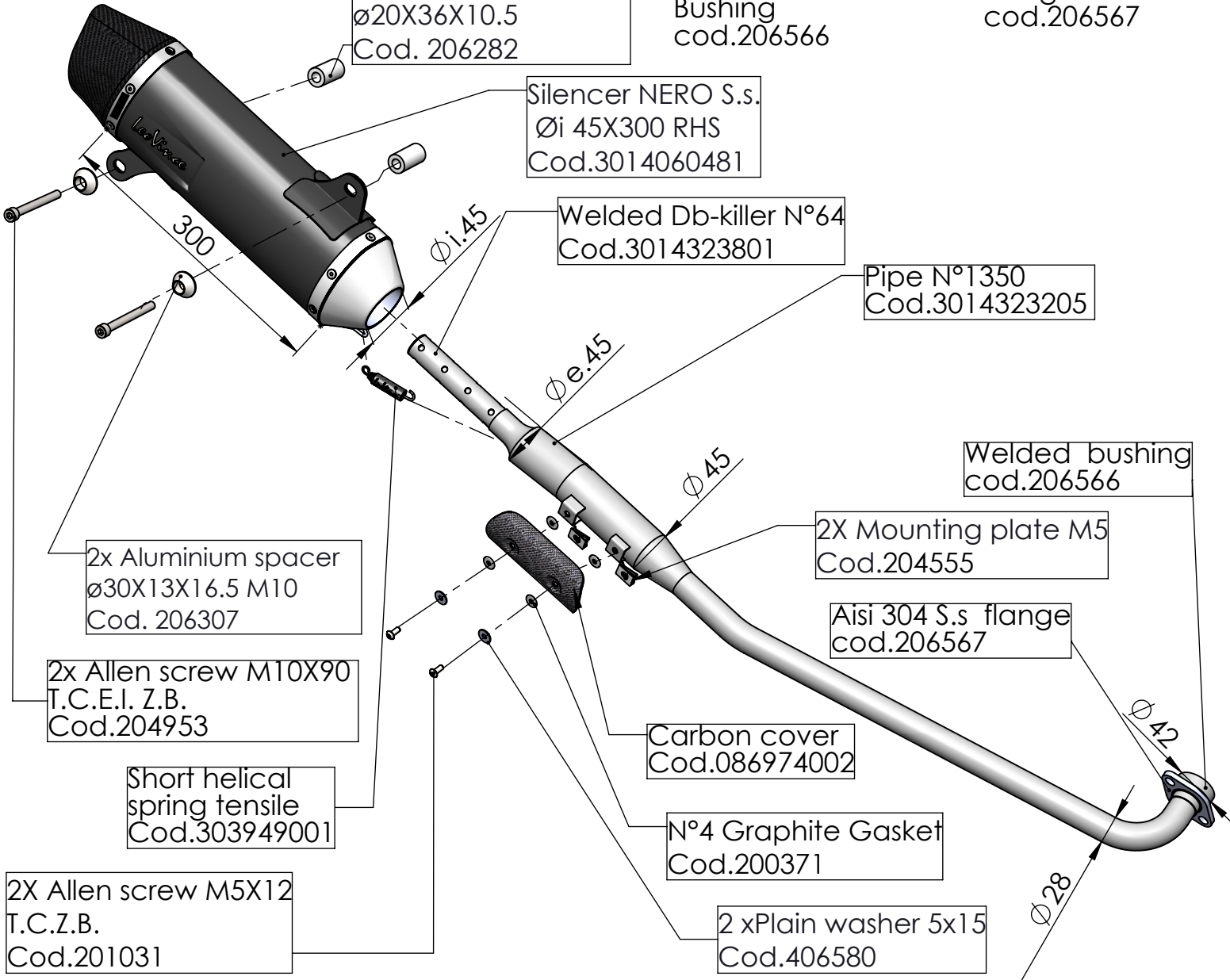
2X Mounting plate M5  
Cod.204555

Aisi 304 S.s flange  
cod.206567

Carbon cover  
Cod.086974002

N°4 Graphite Gasket  
Cod.200371

2 xPlain washer 5x15  
Cod.406580



2x Aluminium spacer  
ø30X13X16.5 M10  
Cod. 206307

2x Allen screw M10X90  
T.C.E.I. Z.B.  
Cod.204953

Short helical  
spring tensile  
Cod.303949001

2X Allen screw M5X12  
T.C.Z.B.  
Cod.201031

### WARNING

it is advisable to optimize the carburation by remapping the stock ECU or by adopting an additional ECU unit.

**ART. 14060**

**YAMAHA 125 X-MAX / IRON MAX**

**FULL SYSTEM - NERO - STAINLESS STEEL**