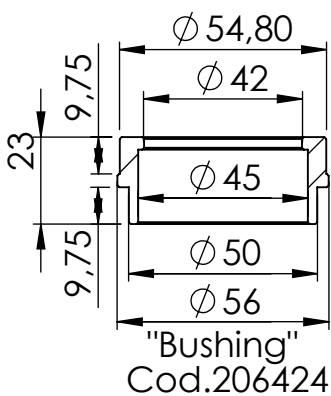
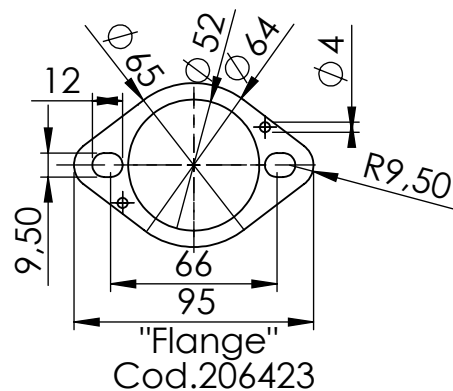


dB-killer n.32B
Cod.307677801



"Bushing"
Cod.206424



"Flange"
Cod.206423

Stainless S. bracket T2
Cod.303692502

E13 92 R - 01 10394

Plain washer 8x35X1,5
Cod.414458

LV ONE EVO silencer
Stainless s. Øi 50 LHS
Cod.3014232481

N°2 Knurled collar nut M8
Cod.200298

dB-killer n.57C
Cod.3014232801

Stainless steel flange
Purch Cod.206423

Stainless-Steel
cylinder bushing
Purch Cod.206424

Original
gasket

OPTIONAL
Cod.5683

Aluminium spacer
27X8,5X11
Cod. 204321

Allen screw M8X50
T.C.Z.B.
Cod.200461

Plain washer 8x17
Cod.200294

Allen screw M8X20
T.C.Z.B.
Cod.200722

Pipe N°2
Cod.3014321203

N°5 Short helical spring
tensile
Cod.303949001

N°4 Mounting plate M5
Cod.204555

Carbon cover
Cod.087299001

Allen screw M5X12
T.C.Z.B.
Cod.201031

2 x Plain washer 5x15
Cod.406580

M12X1,25

CATALYTIC
CONVERTER

Pipe N°1
Cod.3014321201

N°4 Graphite Gasket
Cod.200371

ART. 14321EK

KTM 690 ENDURO R - SMC R

FULL SYSTEM 1/1 - LV ONE EVO - STAINLESS S. - APPROVED