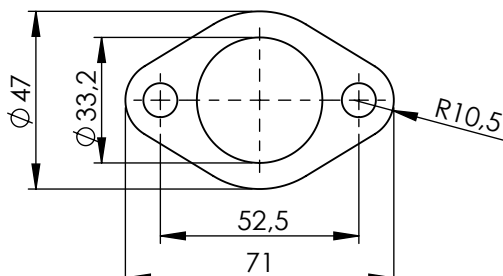
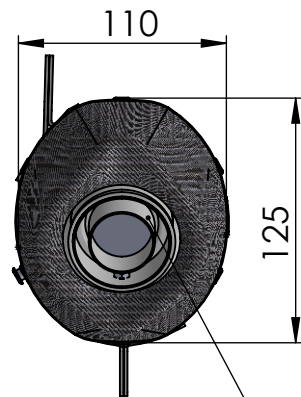


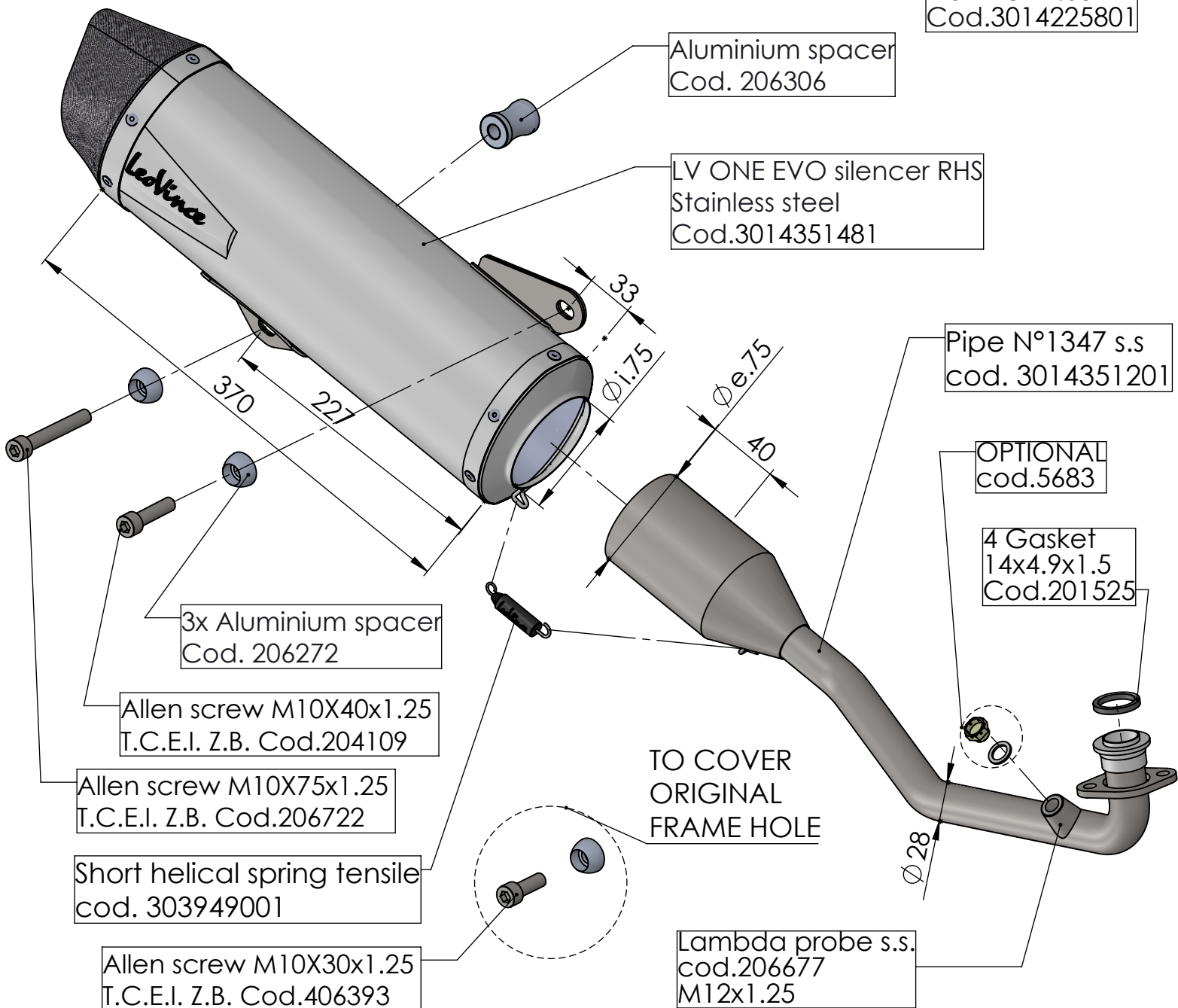
**Bushing s.s
cod.206283**



**Flange s.s. 43E sp.5mm
cod.206308**



**Db-Killer N.63
Cod.3014225801**



**Aluminium spacer
Cod. 206306**

**LV ONE EVO silencer RHS
Stainless steel
Cod.3014351481**

**Pipe N°1347 s.s
cod. 3014351201**

**OPTIONAL
cod.5683**

**4 Gasket
14x4.9x1.5
Cod.201525**

**3x Aluminium spacer
Cod. 206272**

**Allen screw M10X40x1.25
T.C.E.I. Z.B. Cod.204109**

**Allen screw M10X75x1.25
T.C.E.I. Z.B. Cod.206722**

**Short helical spring tensile
cod. 303949001**

**Allen screw M10X30x1.25
T.C.E.I. Z.B. Cod.406393**

**TO COVER
ORIGINAL
FRAME HOLE**

**Lambda probe s.s.
cod.206677
M12x1.25**

ART. 14351E

HONDA SH 125i / 150i

SLIP-ON - LV ONE EVO - STAINLESS STEEL