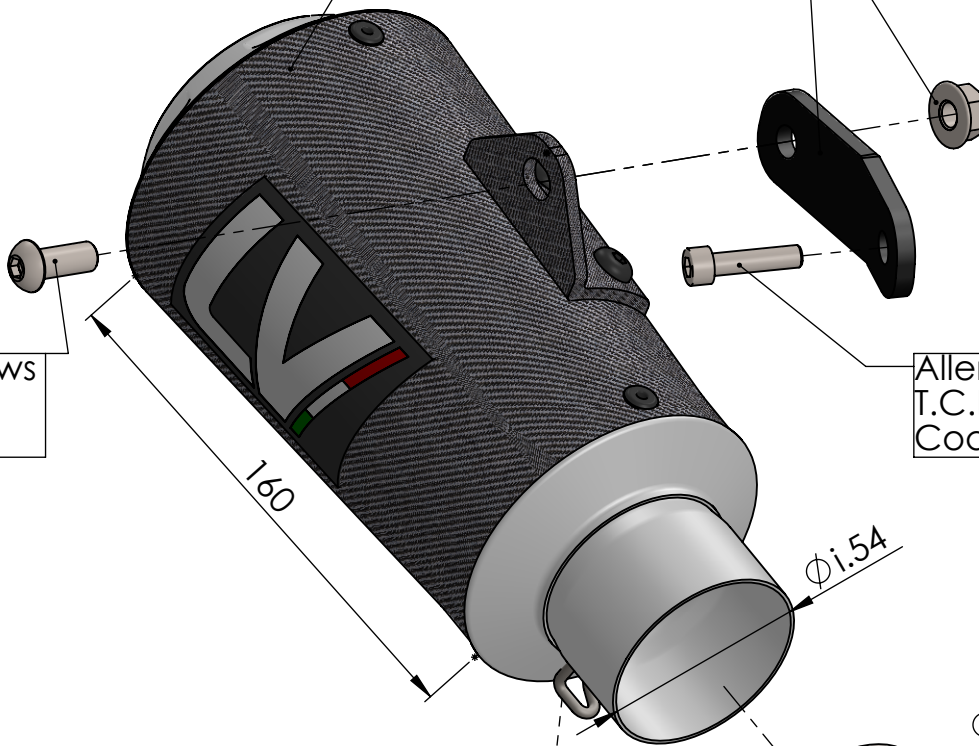


LV-10 Silencer  
Carbon fiber  
Cod.3015200481

N°1 Aluminium Bracket  
Cod.0815202001

N°1 Knurled collar nut M8  
Cod.200298

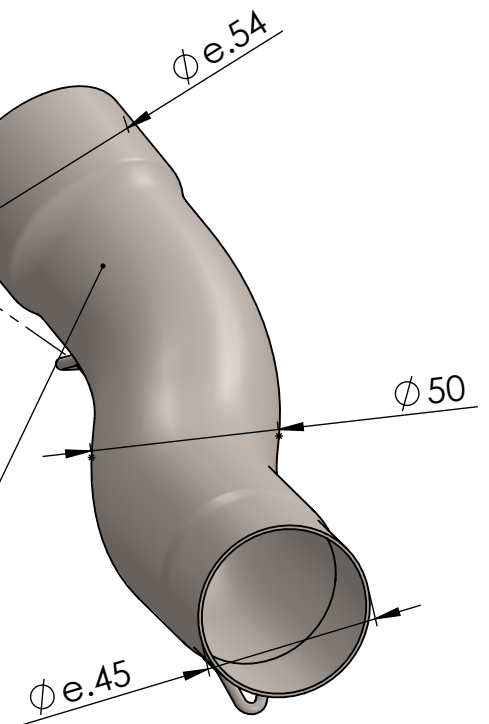


N°1 Allen screws  
T.B.E.I. M8x20  
Cod.200474

Allen screws  
T.C.E.I. M6x25  
Cod.200586

N°1 Short elical  
spring tensile  
Cod.303949001

Pipe N°1163 s.s.  
Cod.3015202201



## ART. 15202C

DUCATI SCRAMBLER 800 DESERT SLED

SLIP-ON - LV-10 - CARBON