

LV10 Silencer RHS $\phi 60 \times 160$
Stainless steel black
Cod.3015243485

2x Knurled collar
nut M8
Cod.200298

S.s Bracket
Prod. cod.3015243501
Purch.cod.206667

SECOND POSITION
WHIC LIFT THE PEGS HIGHER

STANDARD POSITION
RIGHT HAND FOOTPEG

Aluminium spacer
 $\phi 27 \times 8,5$
Cod. 204321

Allen screw
M8X40 T.C.E.I. Z.B.
Cod.200993

Welded bushing
cod.206256

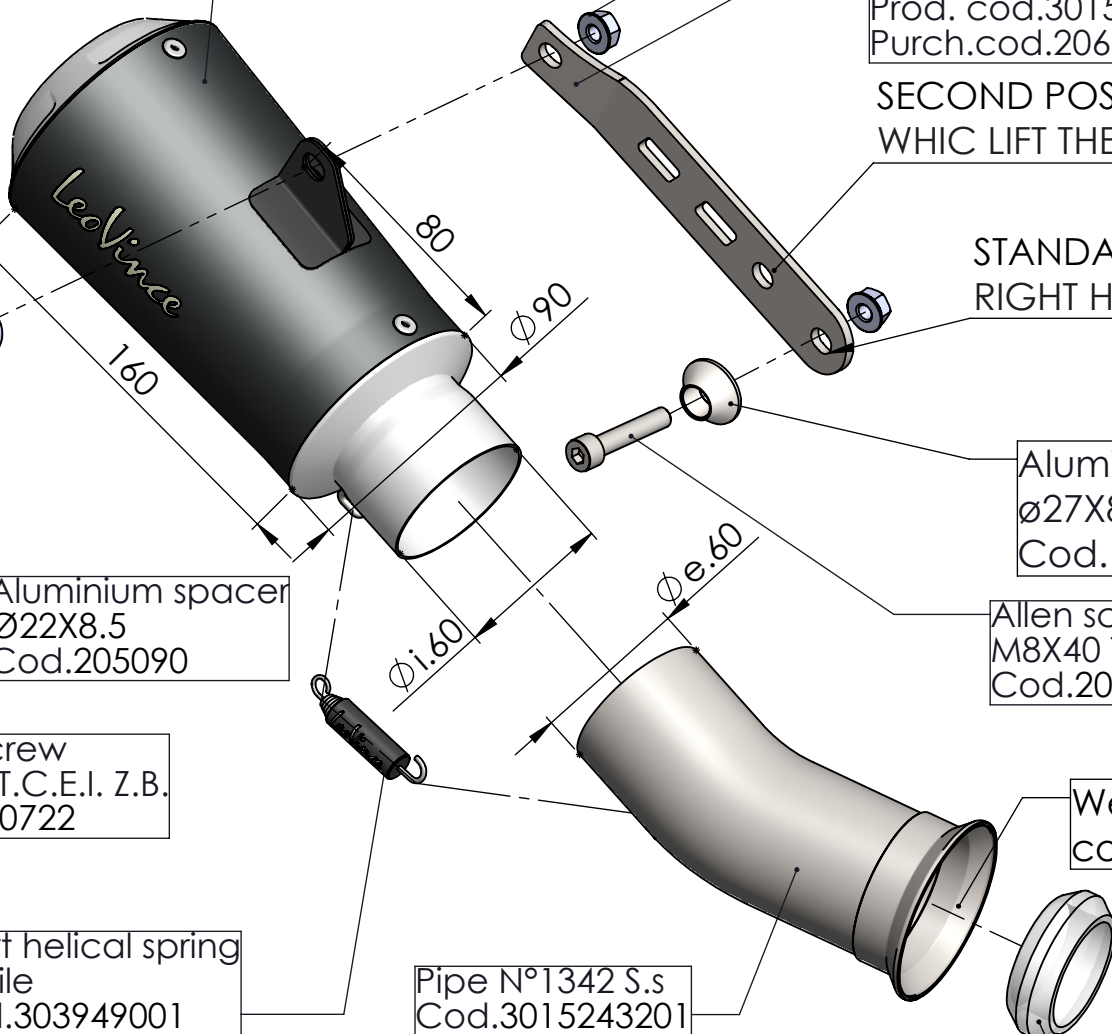
Pipe N°1342 S.s
Cod.3015243201

PLEASE DO NOT REMOVE
ORIGINAL BUSHING

Aluminium spacer
 $\phi 22 \times 8,5$
Cod.205090

Allen screw
M8X20 T.C.E.I. Z.B.
Cod.200722

Short helical spring
tensile
Cod.303949001



ART 15243B

KTM 1290 SUPERDUKE R

SLIP-ON - LV-10 - BLACK