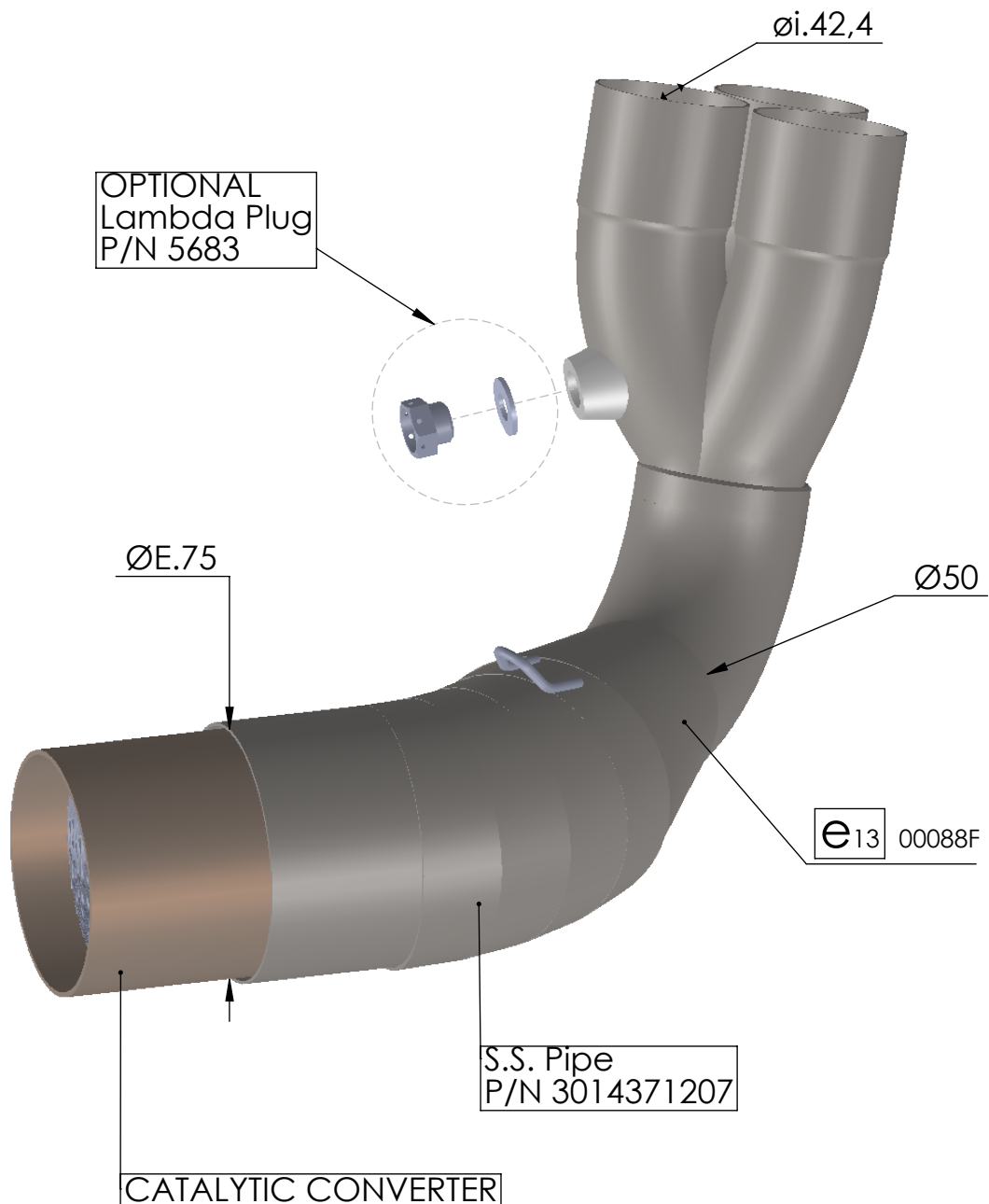


EU - APPROVED CATALYTIC CONVERTER MANIFOLD



ART.16047

YAMAHA MT-09 / SP - TRACER 9 / GT / GT+ - XSR 900

SUITABLE FOR LEOVINCE FULL SYSTEM; ART. 14371EB - 14371 EBK

CATALYTIC CONVERTER MANIFOLD - STAINLESS STEEL