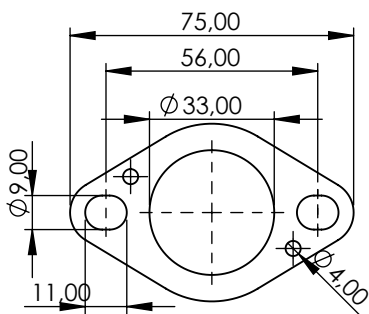
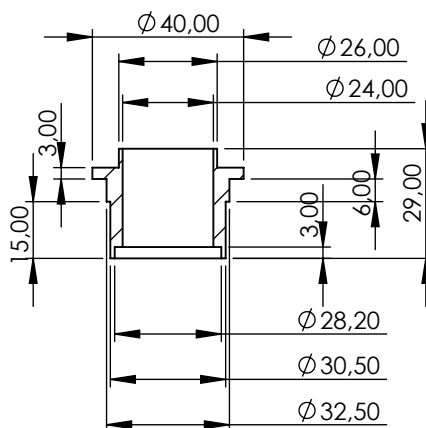


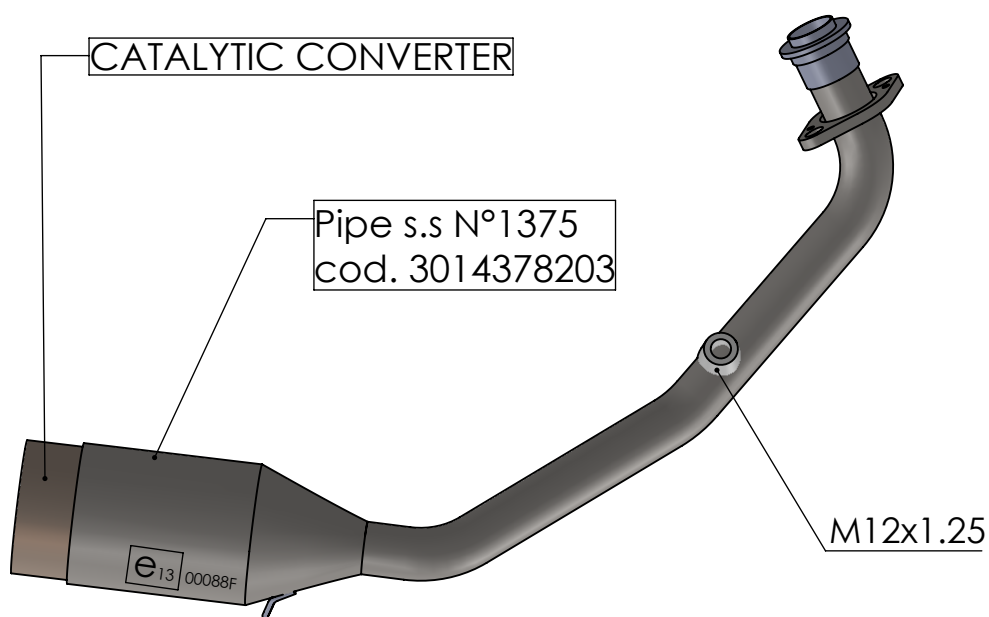
EU- APPROVED CATALYTIC CONVERTER MANIFOLD



Flange s.s. "45E"
cod.205267 sp.6mm



Welded Bushing s.s.
cod.204036



ART. 16051

YAMAHA X-MAX 125 / TECH MAX

SUITABLE FOR LEOVINCE ART.14378E-14378EK-14078K-14078