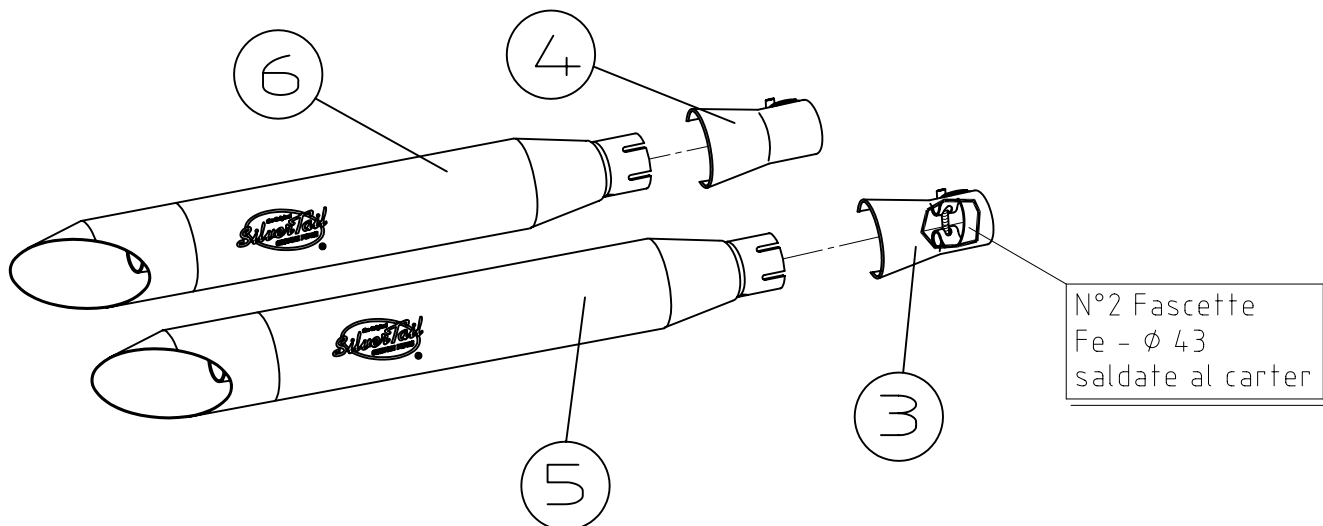


SCHEMA DI MONTAGGIO CARTER SILVERTAIL



KAWASAKI VN 800 CLASSIC ('95/'06)
ART. 2207 *SilverTail << K02 >> OMOLOGATO*