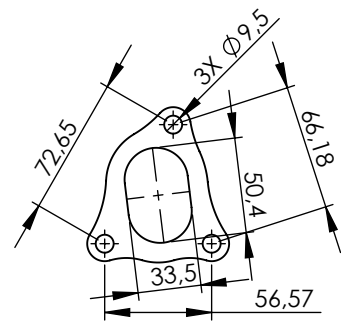
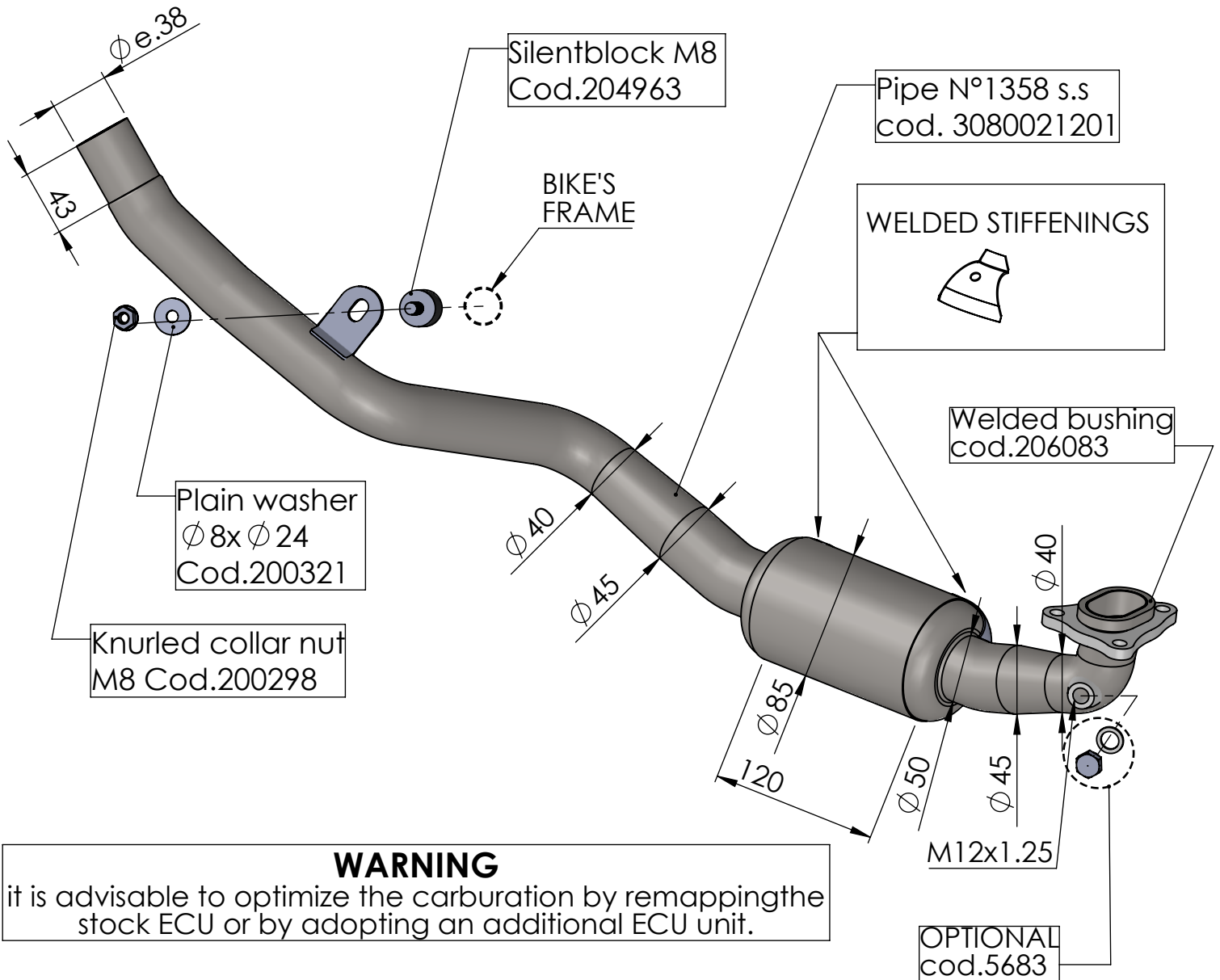


**Bushing sp.8mm  
cod.206083**



**Flange "160A"  
cod.206084 sp.8mm**

DO NOT USE ORIGINAL BUSHING



**WARNING**  
it is advisable to optimize the carburation by remapping the stock ECU or by adopting an additional ECU unit.

**ART. 80021**

HONDA FORZA 750

(Also fits A2 version) (compatible both with stock exhaust and LeoVince slip-on ART. 14195S-14196S-14193E-14194E-14046)

HEADER PIPE - STAINLESS STEEL