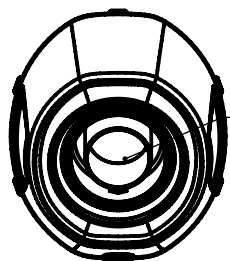
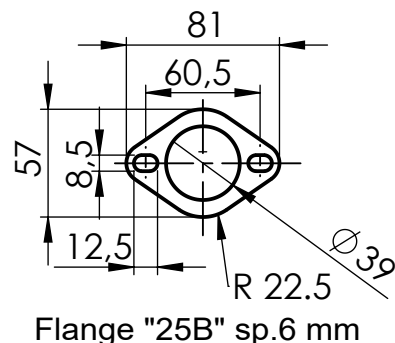


VISTA DA "A"



dB-killer 32 B
Cod.307762801



LV ONE EVO
silencer Stainless s.
Øi 50X370
Cod.308424481

Allen screws
T.B.E.I. M5x14 S.S.
Cod. 204805

Carbon clamp
silencer FB5AS
Cod.308562501

Alluminium
spacer Ø 27X8.5
Cod.204321

Knurled collar nut M5
Cod.204407

TELAIO DELLA MOTO
BIKE'S FRAME

2X Alluminium spacer
Ø 35/23.5x8.5x12
cod.204800

SGI e13 0230 9

Knurled collar nut M8
Cod.200990

Component supplied in package
and to be used on motorcycles without
Lambda probe: M18X1.5 h9 cod.204888

Optional
Cod.5682

Alluminium spacer
20X8.5X10
cod.200414

N°1 Allen screw
T.C.E.I. M8X50
Cod.200534

Øe.50
Øi.50
Ø.45

Pipe 2/1 S.s
Cod.308788202

N°1 Allen screw
T.C.E.I. M8X30
Cod.200363

Plain washer
8x24 Cod.200931

N°5 Short helical
spring tensile
Cod.303949001

Øe.44.5
Øi.38
Øe.35
Øe.38

Pipe S.s
Cod.304151203

Pipe RHS S.s
Cod.304151201

Pipe LHS S.s
Cod.304151202

WARNING

it is advisable to optimize the carburation by remapping
the stock ECU or by adopting an additional ECU unit.

ART. 8788 SPARE PARTS

SUZUKI BURGMAN i.e.

FULL SYSTEM 2/1- LV ONE EVO - STAINLESS STEEL - APPROVED